

MM3000: Medical Market Recording and Streaming Appliance

DESCRIPTION

Reach Operation Teaching Terminal for Medical Industry MM3000 (Medical Master 3000) is an all-in-one recorder equipped voice interactive function, with live, bi-directional voice communication. It can integrate three high definition video signals and one audio signal, to generate an MP4 file. It also supports nondestructive video data transfer and live streams via ultra-long distance by fiber. The Reach MM3000 Operation Teaching Terminal for Medical applications is an all-in-one recorder equipped with 2-way communications interface to allow a practitioner to communicate with a technician creating the record content of a surgery or training session. The MM3000 has 3 inputs to accept High Definition video from any source, as well as audio from boundary mics or mixed through a compact mixer. The MM3000 encodes mp4 files, making the content playable on any computer or device. It also features the capability of live streaming and ultra-long distance connectivity through its fiber connector, eliminating the need for copper to fiber conversion. The MM3000 is also equipped with a HDMI output for local display of the content while its being recorded and streamed, or for local playback.

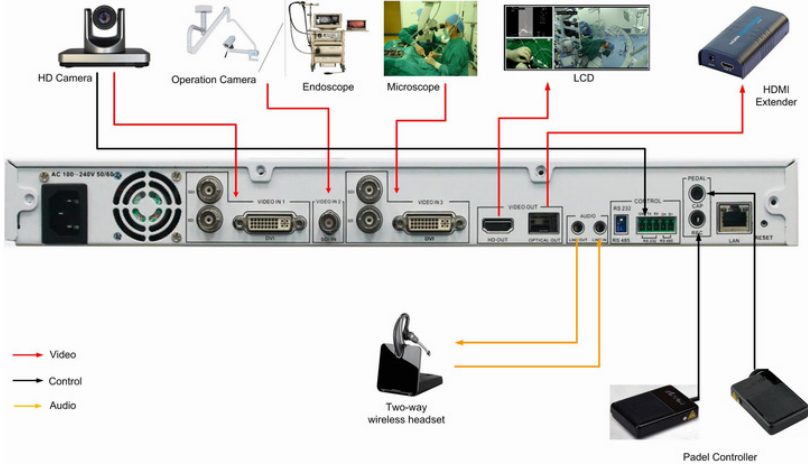


PART #: REA-MM3000

All the controls on the MM3000 are sealed under a membrane to ensure that contagious material cannot be transmitted from its case or panels, making it suitable for use within a trauma room or operating theater. It provides 2 USB 2.0 ports on the front panel for direct recording or downloading previously recorded content on removeable media in conformance with HIPAA standards.

FEATURES

- **HIGH QUALITY VIDEOS** - MM3000 supports up to 1080p HD video input
- **TWO-WAY COMMUNICATION** - MM3000 can do voice interactive function with Medical TE, Windows client software, to facilitate bi-directional voice communications
- **PEDAL CONTROL** - MM3000 provides support for pedal controls to take a screenshots or create video cuts, to divide the content into meaningful clips
- **EASY RECORDING AND PLAYBACK** - One-key recording and playback allows ease of operation through multiple modes based on the front panel or through pedal control.
- **USB RECORDING & DOWNLOADING** - Supports USB device directly, downloaded file into USB device directly or download a recorded file into simultaneous recording to USB and built in hard drive
- **MP4 FILE FORMAT** - MP4 storage format and is compatible with all commercially available media players
- **SUPPORT LOCAL PLAYBACK** - HDMI and optical fiber port provide local playback





(Rev. 02.08.17)

SPECIFICATIONS

Supported Video Input Resolution	SDI signal: 720p@50@60, 1080p@25@30, 1080i@50@60(the second SDI input can't support this resolution), DVI signal: 800x600@60hz, 1024x768@60hz, 1280x720@60hz, 1280x768@60hz, 1280x800@60hz, 1280x960@60hz, 1280x1024@60hz, 1366x768@60hz, 1400x1050@60hz, 1440x900@60hz, 1600x1200@60hz, 1920x1080@60hz, 1920x1200@60hz, SD signal: 480i, 576i
Supported Video Output Resolution	HDMI out: 1024x768, 1280x720, 1280x1024, 1920x1080
Video Encoding	H.264 High Profile
Frame Rate	30fps
Management	Webpage
Live Streaming	Optical Fiber Output, Medical TE Windows software to receive live streams
Live/VOD User	Supports either Live or VOD at one time. Up to 5 live users.
Audio Encoding	AAC-LC
Audio Bit Rate	32Kbps
Audio Sample Rate	16KHz
File Format	MP4 format
Language	English
Storage	1TB, supports USB storage
Power	AC 220V(1±10%)/ 50Hz, 2A/70w
Dimensions	430mm x 332mm x 44.5mm (LxWxH)
Weight	Net weight: 5.5Kg, Packaging weight: 9.2KG
Relative Humidity	5% to 95%
Working Temperature	0°C to 60°C
Storage Temperature	-40°C to 80°C

RELATED PRODUCTS

Media Center (development of interface is in process)

©2017 BTX Technologies, Inc. All rights reserved. Specifications subject to change without notice. All trademarks and registered trademarks mentioned herein are the property of their respective owners.

BTX TECHNOLOGIES, INC.

5 Skyline Drive, Hawthorne, NY 10532 (Headquarters & Distribution Hub) | 3130 West California Ave. - Suite D, Salt Lake City, UT 84104 (Distribution Hub)

Tel: 800.666.0996 | Fax: 800.569.4244 | info@btx.com | www.btx.com